

Globe Valves

Type 03341 - Globe Valve, ANSI Flanges



Cryogenic-Globe and Globe/Check Valves, class 150

Stainless steel body and topwork,
 "live loaded" gland packing
 "cleaned and degreased for oxygen service"

Part No. 03341.X.0011 (H = 270mm)
Part No. 03341.X.0021 (H = 370mm)
Part No. 03341.X.5011 (H = 270mm) Globe/Check Valve
Part No. 03341.X.5021 (H = 370mm) Globe/Check Valve
 Flanged connection acc. to ANSI B16.5 class 150

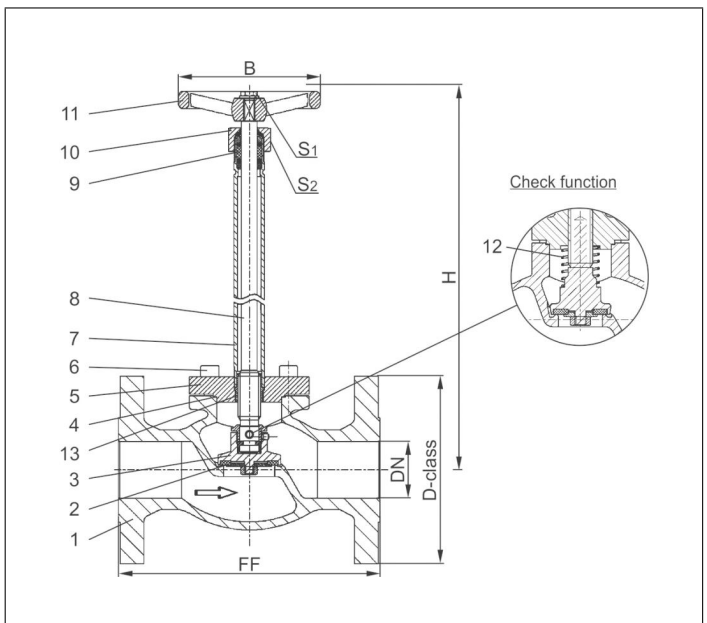
Available options - on request only:
 · Extension H up to 900mm
 · Valve with control disc (tapered design)



Applications:

Approved for air gases, vapours and cryogenic liquefied gases incl. LNG.
 Working temperature: -196°C / -321°F (77K) up to +120°C / +248°F (393K)

Materials	DIN EN	ASTM
1 Body	1.4308	A 351 CF8
2 Valve seal up to DN50	PTFE / Carbon filled (25%)	
2a Valve seal from DN65	PTFE	
3 Disc	1.4301	A 276 Grade 304
4 Bonnet gasket	PTFE	
5 Headpiece	1.4301 / 1.4308	A 276 Grade 304 / A 351 CF8
6 Bolts	1.4301/A2	A 194 B8
7 Elongation tube	1.4541	A 213 TP 321
8 Stem	1.4301	A 276 Grade 304
9 Gland packing	Graphite / PTFE	
10 Gland nut	1.4305	A 276 Grade 303
11 Handwheel	Aluminium alloy	
12 Spring	1.4310	A 313 Grade 301
13 Bush	CW452K	B 159 UNS C51900



Standard marking acc. to Pressure Equipment Directive 2014/68/EU (PED).



Type 03341 - Standard design	Technical data										
Nominal size	DN	15	20	25	40	50	65	80	100	150	
Dimension code - Flange ANSI B16.5 class 150	.X.	0400	0600	1000	1400	2000	2400	3000	4000	6000	
Flange-Ø	D-class	90	100	110	125	150	180	190	230	280	
Face-to-face dimension	FF	140	150	160	200	230	290	310	350	577	
Height	H	270 mm or 370 mm								370	420
Handwheel-Ø	B	100	100	100	125	125	200	250	315	360	
Wrench size across flats	S ₁	7	7	7	10	10	10	10	12	15	
Wrench size across flats	S ₂	30	30	30	36	36	36	36	41	41	
Weight	ca. kg	3.0	3.5	5.0	9.0	13.0	21.0	28.0	42.0	83.0	
Kvs-Value	m ³ /h	4.3	6.7	11.5	22.6	37.1	71.1	104.0	170.0	350.0	
Cv-Value	gal/min	5.0	7.8	13.4	26.3	43.2	82.7	120.9	195.2	401.8	

Dimensions in mm.