

Changeover Valves

Type 7111 - Diverter-Plug-Valve



Cryogenic Diverter Plug Valves, bronze, PN50

for the installation of two safety valves,
provided for bursting disc connections,
"cleaned and degreased for oxygen service"

Part No. 7111.FGX

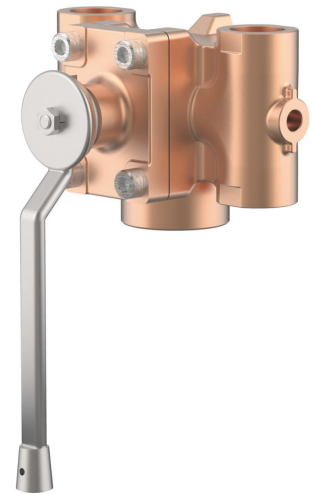
Female thread connection (G) acc. to ISO 228/1

Part No. 7111.FNX

Female thread connection NPT acc. to ANSI B 1.20.1

Available Options - on request only:

- Inlet with union type braze or butt weld fitting
- Outlet GA₁ with installed locking sleeve for easy positioning of safety valves
- With mounted safety valves and bursting discs
- Combination of different outlet threads GA₁ - GA₂ - GA₃



Applications:

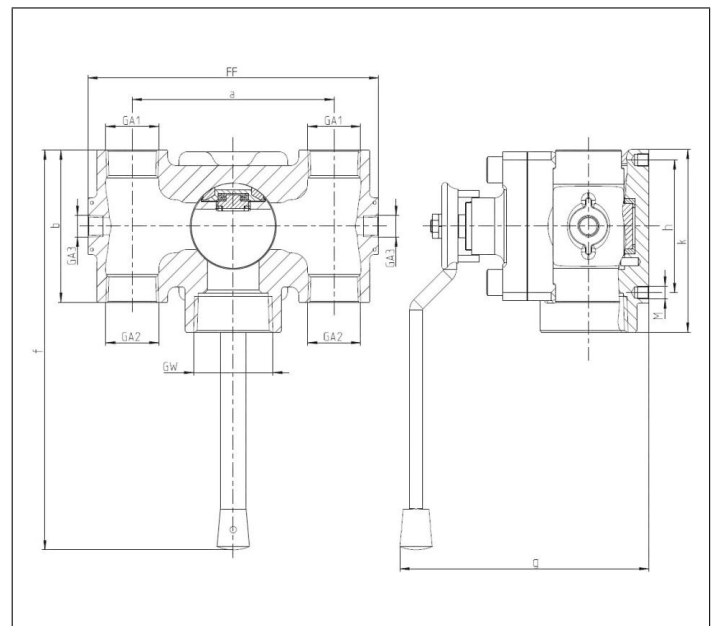
Approved for air gases, vapours and cryogenic liquefied gases incl. LNG.

Working temperature: -196°C / -321°F (77K) up to +120°C / +248°F (393K)

For O₂-applications: Up to 60°C / 140°F (333K): maximum oxygen pressure up to 40 bar

From 60°C / 140°F (333K): maximum oxygen pressure up to 25 bar

Materials	DIN EN	ASTM
1 Body	CC491K	C83600
2 Seal	PTFE	
3 Pin	1.4301	304
4 Cock plug	CW614N	C38500
5 Upper part	CC491K	C83600
6 Stem	1.4301	304
7 Seal	PTFE	
8 Gland packing	Graphite / PTFE	
9 Disc spring	1.4310	301
10 STB screw	CW614N	C38500
11 Screw	1.4301	304
12 Lever	1.4308	CF8
13 Disc spring	1.4568	631
14 Spring	Cu	C11000



Type 7111 - Standard design	Technical Data						
Nominal Size	DN	32	32	32	32	32	32
Dimension code	.X.	14000.D3001	12000.D3002	10000.D3003	14000.D3005	12000.D3006	10000.D3007
Inlet	GW	1-1/2	1-1/4	1	1-1/2	1-1/4	1
Outlet	GA ₁	1	3/4	1/2	1	3/4	1/2
Outlet	GA ₂	1	3/4	1/2	1	3/4	1/2
Test connection	GA ₃	1/4	1/4	1/4	1/4	1/4	1/4
Face-to-face dimension	FF	180	180	180	180	180	180
Length	a	125	125	125	125	125	125
Height	b	94	94	94	94	94	94
Length	f	247	247	247	247	247	247
Length	g	154	154	154	154	154	154
Length	h	82	82	82	82	82	82
Length	k	113	113	113	113	113	113
Weight	ca. kg	5.6	5.6	5.6	5.6	5.6	5.6
Kvs - Value, one side open	m ³ /h	22.8	on request	on request	22.8	on request	on request
Cv - Value, one side open	gal /min	26.7	on request	on request	26.7	on request	on request

Dimensions in mm.