

# Herose Type 11C01 – Globe Valve FullX

## Cryogenic-Globe Valves, PN63



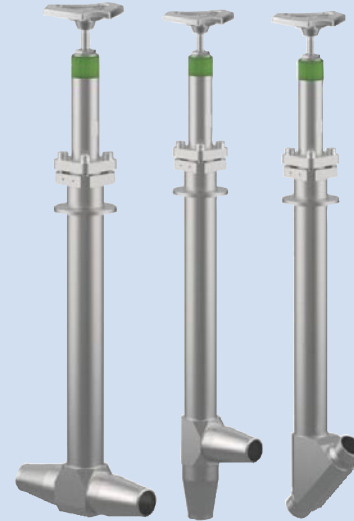
Stainless steel body and topwork,  
 "live loaded" gland packing  
 "cleaned and degreased for oxygen service"

Butt weld connection for stainless steel pipes acc. to ISO 1127

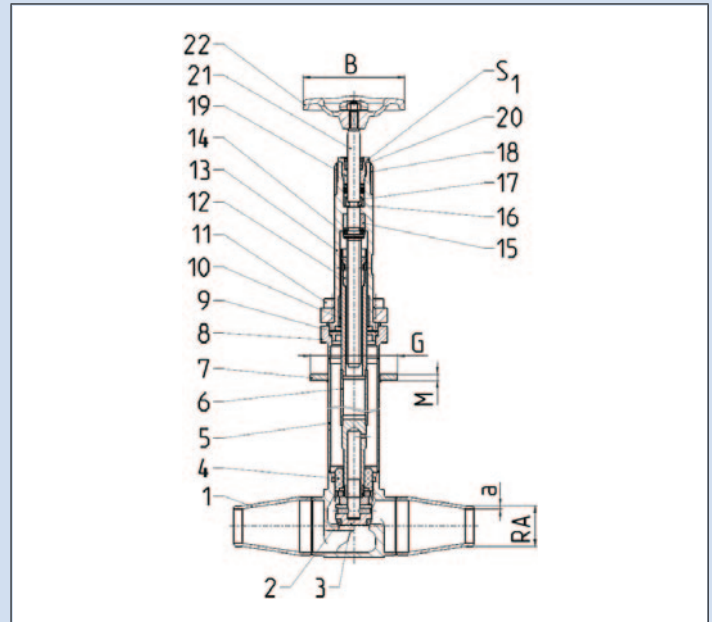
Available options - on request only:  
 · Further connection types

### Applications:

Approved for air gases, vapours and cryogenic liquefied gases.  
 Working temperature: -269°C / -452°F (4K) up to +80°C / +176°F (353K)



Materials	DIN EN	ASTM
1 Body	1.4571	A 313 Grade 316TI
2 Valve seal	PCTFE	
3 Disc	1.4571	A 313 Grade 316TI
4 Guide	PTFE / Carbon filled (25%)	
5 Tube	1.4571	A 313 Grade 316TI
6 Hollow stem	1.4571	A 313 Grade 316TI
7 Collar	1.4404	A 276 Grade 316L
8 Flange	1.4404	A 276 Grade 316L
9 Bonnet gasket	PTFE	
10 Bushing	CW452K	B 159 UNS C51900
11 Bolt	A4-70	A 194 B8M
12 Threaded bushing	CW452K	B 159 UNS C51900
13 Head piece	1.4404	A 276 Grade 316L
14 Ball bearing	1.4125	440C
15 Sliding bushing	CW452K	B 159 UNS C51900
16 Stem ring	CW452K	B 159 UNS C51900
17 Gasket	PTFE / Carbon filled (25%)	
18 Cap	PVC	
19 Gland bolt	1.4404	A 276 Grade 316L
20 Wiper	PEEK	
21 Stem	1.4404	A 276 Grade 316L
22 Handwheel	1.4409	A 351 CF3M



Standard marking acc. to Pressure Equipment Directive 2014/68/EU (PED).



### Technical Data - Standard design

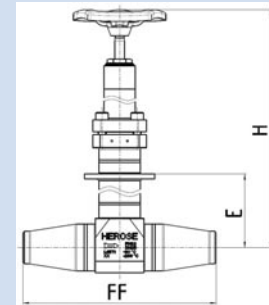
Nominal size	Length (G) [mm]	Length (M) [mm]	Handwheel-Ø (B) [mm]	Wrench size across flats (S <sub>1</sub> ) [mm]	Outside pipe-Ø ISO (RA) [mm]	Wall thickness pipe ISO (a) [mm]
25	72	5	100	22	33.7	2.6
50	109	5	100	22	60.3	2.9

# Herose Type 11C01 – Globe Valve FullX

Ideal for Your Vacuum Insulated Systems Down to -269° C

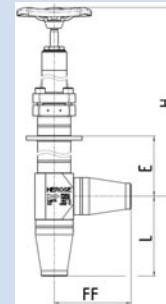


## Body types



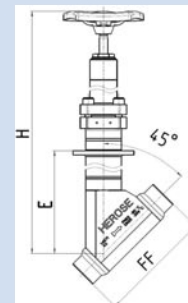
### Straight body

DN	Face-to-face dim. (FF) [mm]	Height (H) [mm]	Length (E) [mm]	Kvs-value [m <sup>3</sup> /h]	Cv-value [gal/min]	Weight [kg]	Part No.
25	198	560	330	12.3	14.3	3.82	11C01.A001.000001
50	288	665	410	44.0	51.2	9.69	11C01.A001.000004



### Body angle type

DN	Face-to-face dim. (FF) [mm]	Height (H) [mm]	Length (E) [mm]	Length (L) [mm]	Kvs-value [m <sup>3</sup> /h]	Cv-value [gal/min]	Weight [kg]	Part No.
25	99	560	330	104	22.3	25.9	3.75	11C01.A001.000002
50	144	665	410	149	80.0	93.0	9.44	11C01.A001.000005



### Body Y type

DN	Face-to-face dim. (FF) [mm]	Height (H) [mm]	Length (E) [mm]	Kvs-value [m <sup>3</sup> /h]	Cv-value [gal/min]	Weight [kg]	Part No.
25	135	605	375	14.4	16.7	4.16	11C01.A001.000003
50	170	715	460	69.8	81.1	9.42	11C01.A001.000006

Dimensions in mm

**⚠ WARNING:** Cancer and Reproductive Harm – [www.P65Warnings.ca.gov](http://www.P65Warnings.ca.gov)  
For further information on Proposition 65, please go to [www.oehha.ca.gov/proposition-65](http://www.oehha.ca.gov/proposition-65)